

MONOBLOC CONTROL DESKS



CHARACTERISTICS

Enclosure manufactured from 1.5 mm thick press bent sheet steel provided with front and rear doors manufactured from 1.5 mm thick sheet steel with lateral stiffening cover, and upper panel manufactured from 1.5 mm thick sheet steel complete with sendzimir rails and gas springs to avoid accidental closing. Adjustable in depth mounting plate manufactured from 2.5 mm thick sendzimir sheet steel.

PAINT FINISH

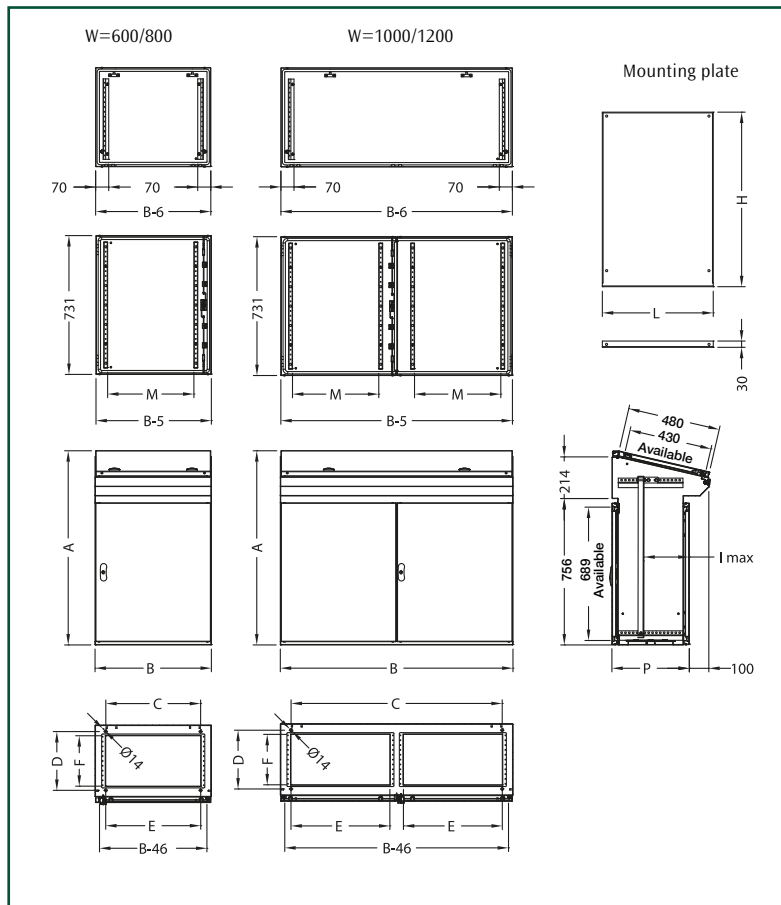
ETA standard epoxy polyester powder coating. Structure, doors, upper panel: colour RAL 7035 textured finish.

SUPPLY

- control desk
- doors complete with \varnothing 3 mm double bar closing system
- upper panel complete with closing system
- mounting plate
- adjustable cable entry.

PROTECTION RATING

- IP55 complying with IEC EN62208; EN62262
- NEMA 12 complying with UL508A, UL50
- impact resistance IK10 complying with IEC EN62208; EN62262.



Control desk

CONTROL DESK

SBA CODE	DIMENSIONS			FLOOR FIXING		CABLE ENTRY		DOOR SPACE	MOUNTING PLATE		
	B	A	P	C	D	E	F	M	L	H	I MAX
SBA601	600	1000	400	489	273	490	230	445	530	830	334
SBA801	800	1000	400	689	273	690	230	645	730	830	334
SBA001	1000	1000	400	889	273	410 (x2)	230	345	930	830	334
SBA201	1200	1000	400	1089	273	510 (x2)	230	445	1130	830	334

MODULAR PLINTH EUZE

CHARACTERISTICS

Corner pieces manufactured from 2.5 mm thick press bent sheet steel, with PVC front covers caps. Front and side crosspieces manufactured from 2.0 mm thick press bent sheet steel.

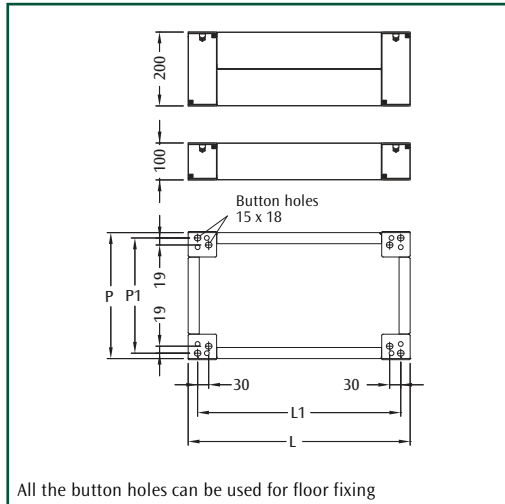
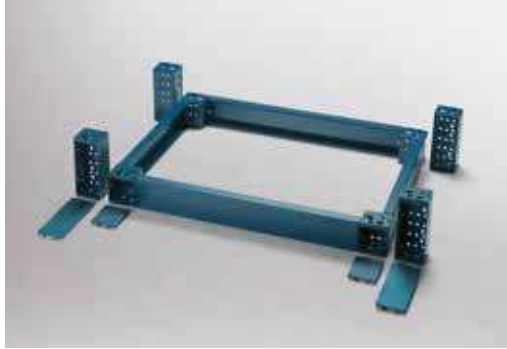
PAINT FINISH

ETA standard epoxy polyester powder coating.
Colour: RAL 5020 textured finish.

SUPPLY

The modular plinth is made up of:

- corner pieces: supply includes 4 pieces complete with front covers and mounting hardware
- front/rear crosspieces: supply includes 2 pieces
- side crosspieces: supply includes 2 pieces.



UNIVERSAL CORNER PIECES

EUZE CODE	DESCRIPTION
EUZE-A100	CORNER PIECES FOR PLINTH H=100
EUZE-A200	CORNER PIECES FOR PLINTH H=200

Note: supply includes 4 pieces with mounting accessories.

UNIVERSAL FRONT CROSSPIECES

EUZE CODE	DESCRIPTION	CROSS. LENGTH MM
EUZE-T0600	FRONT CROSS. FOR PLINTH W=600	444
EUZE-T0800	FRONT CROSS. FOR PLINTH W=800	644
EUZE-T1000	FRONT CROSS. FOR PLINTH W=1000	844
EUZE-T1200	FRONT CROSS. FOR PLINTH W=1200	1044

Note: supply includes 2 pieces.

Note: to order the front crosspieces H=200 add the suffix "D" to the code (i.e.: EUZE-T0600D).

SBA SIDE CROSSPIECES

EUZE CODE	DESCRIPTION	CROSS. LENGTH MM
EUZE-T0400B	SIDE CROSS. PLINTH D=400	206

Note: supply includes 2 pieces.

Note: to order the side crosspieces H=200, add the suffix "D" to the code (i.e.: EUZE-T0400BD).

DIMENSIONAL SPECIFICATIONS

CONTROL DESK DIM.		PLINTH DIM.		CENT. DISTANCES	
L	P	L	P	L1	P1
600	400	600	340	549	311
800	400	800	340	749	311
1000	400	1000	340	949	311
1200	400	1200	340	1149	311

Control desk

MONOBLOC CONTROL DESKS



CHARACTERISTICS

Enclosure manufactured from 1.5 mm thick press bent sheet steel provided with front door manufactured from 1.5 mm thick sheet steel with lateral stiffening cover, and upper panel manufactured from 1.5 mm thick sheet steel complete with sendzimir rails and gas springs.

Mounting plate manufactured from 2.5 mm thick sendzimir sheet steel mounted on the rear cover.

PAINT FINISH

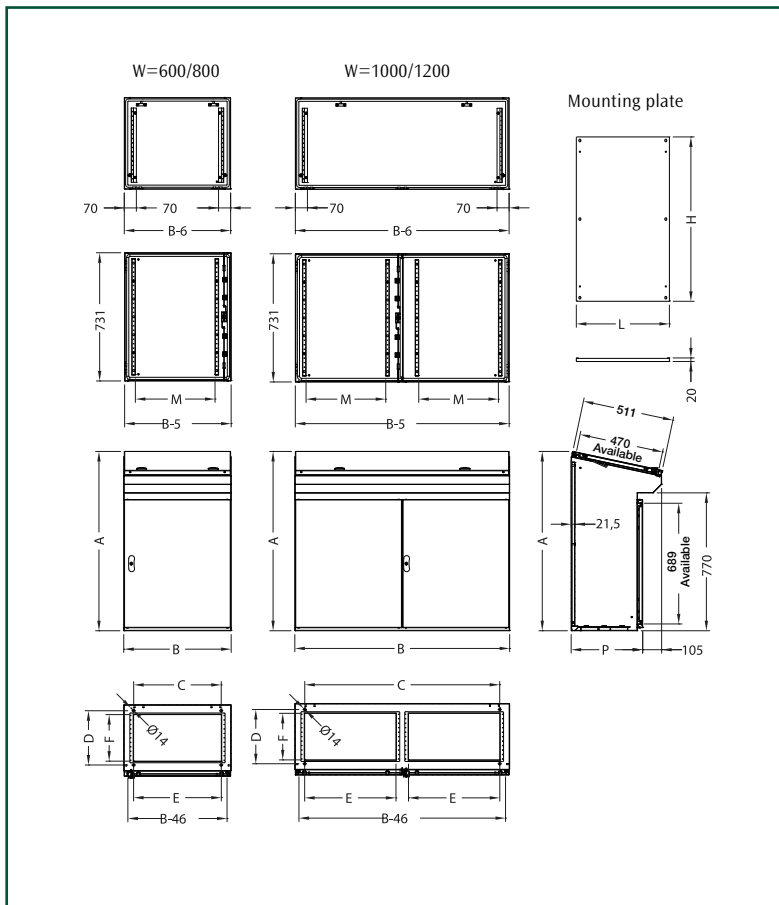
ETA standard epoxy polyester powder coating.
Structure, doors, upper panel: colour RAL 7035 textured finish.

SUPPLY

- control desk
- door complete with \varnothing 3 mm double bar closing system
- upper panel complete with closing system
- mounting plate
- adjustable cable entry.

PROTECTION RATING

- IP55 complying with IEC EN62208; EN62262
- NEMA 12 complying with UL508A, UL50
- impact resistance IK10 complying with IEC EN62208; EN62262.



Control desk

CONTROL DESK

ZBA CODE	DIMENSIONS			FLOOR FIXING		CABLE ENTRY		DOOR SPACE	MOUNTING PLATE	
	B	A	P	C	D	E	F	M	L	H
ZBA601	600	1000	400	489	303	490	260	445	520	918
ZBA801	800	1000	400	689	303	690	260	645	720	918
ZBA001	1000	1000	400	889	303	410 (x2)	260	345	920	918
ZBA201	1200	1000	400	1089	303	510 (x2)	260	445	1120	918

MODULAR PLINTH EUZE

CHARACTERISTICS

Corner pieces manufactured from 2.5 mm thick press bent sheet steel, with PVC front covers caps. Front and side crosspieces manufactured from 2.0 mm thick press bent sheet steel.

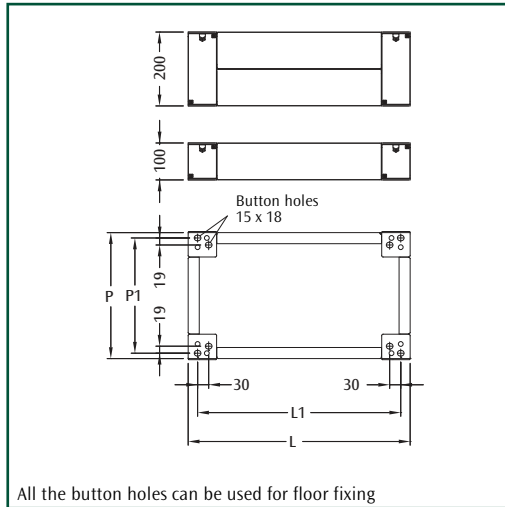
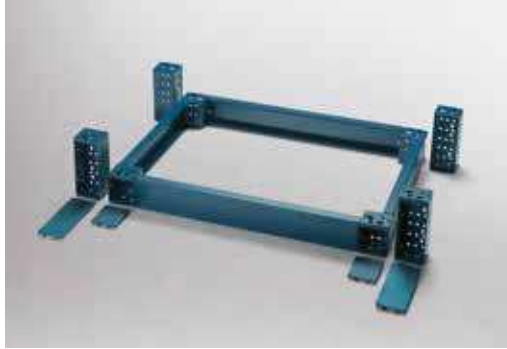
PAINT FINISH

ETA standard epoxy polyester powder coating.
Colour: RAL 5020 textured finish.

SUPPLY

The modular plinth is made up of:

- corner pieces: supply includes 4 pieces complete with front covers and mounting hardware
- front/rear crosspieces: supply includes 2 pieces
- side crosspieces: supply includes 2 pieces.



UNIVERSAL CORNER PIECES

EUZE CODE	DESCRIPTION
EUZE-A100	CORNER PIECES FOR PLINTH H=100
EUZE-A200	CORNER PIECES FOR PLINTH H=200

Note: supply includes 4 pieces with mounting accessories.

UNIVERSAL FRONT CROSSPIECES

EUZE CODE	DESCRIPTION	CROSS. LENGTH MM
EUZE-T0600	FRONT CROSS. FOR PLINTH W=600	444
EUZE-T0800	FRONT CROSS. FOR PLINTH W=800	644
EUZE-T1000	FRONT CROSS. FOR PLINTH W=1000	844
EUZE-T1200	FRONT CROSS. FOR PLINTH W=1200	1044

Note: supply includes 2 pieces.

Note: to order the front crosspieces H=200 add the suffix "D" to the code (i.e.: EUZE-T0600D).

ZBA SIDE CROSSPIECES

EUZE CODE	DESCRIPTION	CROSS. LENGTH MM
EUZE-T0400C	SIDE CROSS. PLINTH D=400	236

Note: supply includes 2 pieces.

Note: to order the side crosspieces H=200, add the suffix "D" to the code (i.e.: EUZE-T0400CD).

DIMENSIONAL SPECIFICATIONS

CONTROL DESK DIM.		PLINTH DIM.		CENT. DISTANCE	
L	P	L	P	L1	P1
600	400	600	370	549	341
800	400	800	370	749	341
1000	400	1000	370	949	341
1200	400	1200	370	1149	341

Control desk



CHARACTERISTICS

Enclosure manufactured from 1.5 mm thick AISI 304L press bent stainless steel material. Mounting plate manufactured from 2.5 mm thick sendzimir sheet steel mounted on the rear cover. Upper cover manufactured from 1.5 mm thick AISI 304L material with sendzimir profiles and mechanical stop. Adjustable cable entry. Item in AISI 316L available on request.

SUPPLY

- control desk
- doors complete with \varnothing 3 mm double bar key locking system
- mounting plate
- upper cover complete with locking system
- adjustable cable entry.

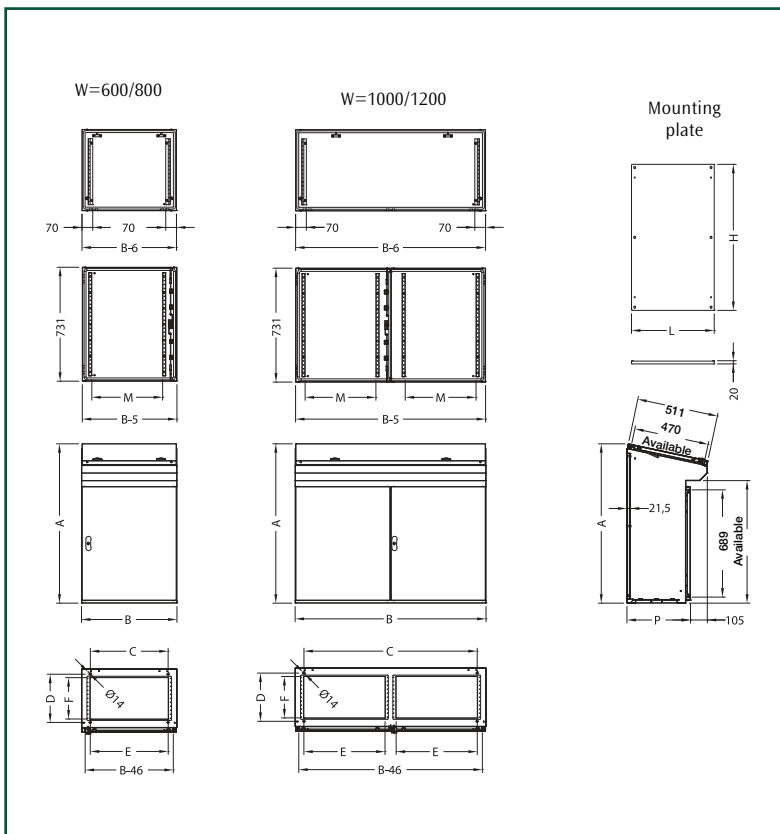
PROTECTION RATING

- IP55
- NEMA 12 complying with UL508A; UL50.

STAINLESS STEEL CONTROL DESKS

ZBX CODE	DIMENSIONS			FLOOR FIXING		CABLE ENTRY		DOOR SPACE M	MOUNTING PLATE	
	B	A	P	C	D	E	F		L	H
ZBX6-01	600	1000	400	550	310	490	260	445	520	918
ZBX8-01	800	1000	400	750	310	690	260	645	720	918
ZBX0-01	1000	1000	400	950	310	410 (x2)	260	345	920	918
ZBX2-01	1200	1000	400	1150	310	510 (x2)	260	445	1120	918

Note: to order the item in high grade AISI 316L, add the suffix "H" to the code. (i.e.: ZBX6-01H).



Stainless steel

למידע נוסף



0732001311



www.ateka.co.il



אפקון
מקבוצת
שלמה

אטקה