

# WI

## Current detector control relay



### Description

The **WI** current detectors are electronic devices with an output relay that is connected or disconnected, in accordance with the level of current detected in the circuit.

- The trip level is adjusted with the potentiometer on the front of the unit.
- The reset process is automatic with currents under 10% of the trip level (Hysteresis).
- Delay: the connection and disconnection times of the output relay can be adjusted separately.
- Measurement of the current, depending on the type:
  - With built-in current transformer (net diameter  $\varnothing$  25 mm)
  - Separate transformer, input.../5 Aac

### Application

**WIs** can be used in any application that needs to control the load:

- Power supply units for grinders or aggregate grinding units.
- Loads in extrusion machines
- Pump control
- Load on motors, etc.

### Features

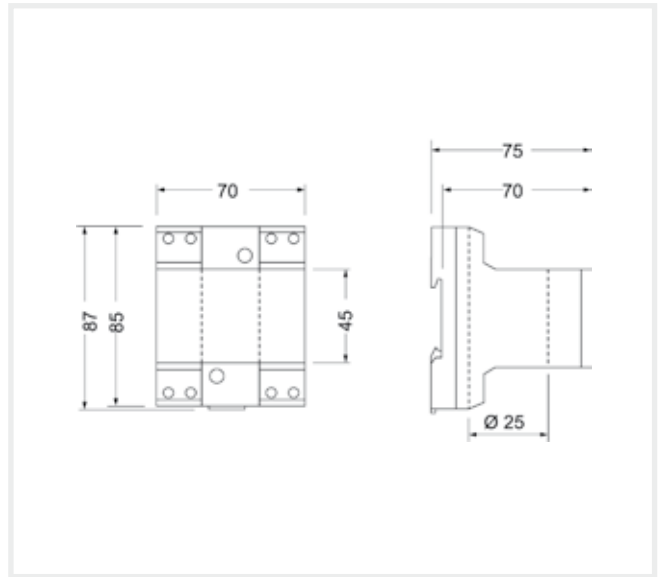
<b>Power supply circuit</b>	
Voltage*	230 Vac (-15 ... +10 %)
Frequency*	50 Hz
Consumption	2 VA
<b>Testing voltages between the circuits and the grid</b>	
Measurement circuit	2,500 V
Relay contacts	1,500 V
<b>Output relay</b>	
Insulation voltage ( $U_i$ )	250 Vac
Thermal current $I_{th}$	5 A
Interrupting power	( $10^5$ operations) with resistive load $U_o/I_o$ : 240 Vac / 3.2 A with inductive load $U_o/I_o$ : 240 Vac / 0.8 A 30 Vdc / 1.6 A
<b>Build features</b>	
Fixing	DIN rail
Dimensions	4 modules
Weight	250 g
Degree of protection	IP 41
Operating temperature	0 ... +50 °C
<b>Standards</b>	
IEC 605, IEC 1010-1, EN 61010-1, EN 50 081, EN 50 082, IEC 255, UL 94, UNE 20 607, UNE 21 136, VDE 0110	

(\*) Other voltages and frequencies on demand.

**WI**

Current detector control relay

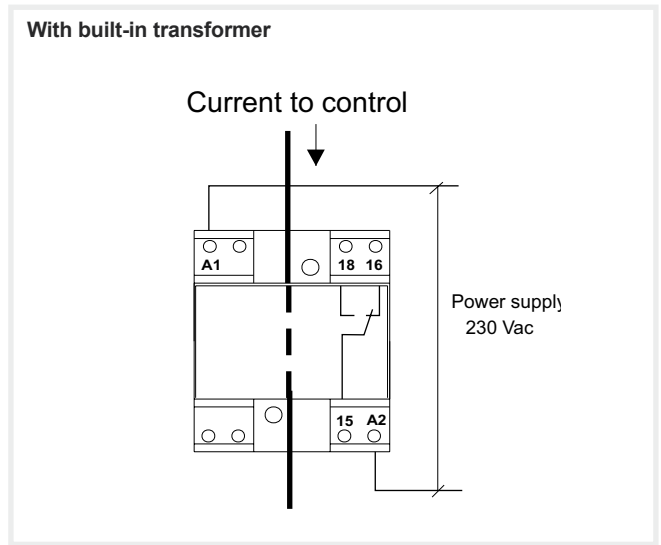
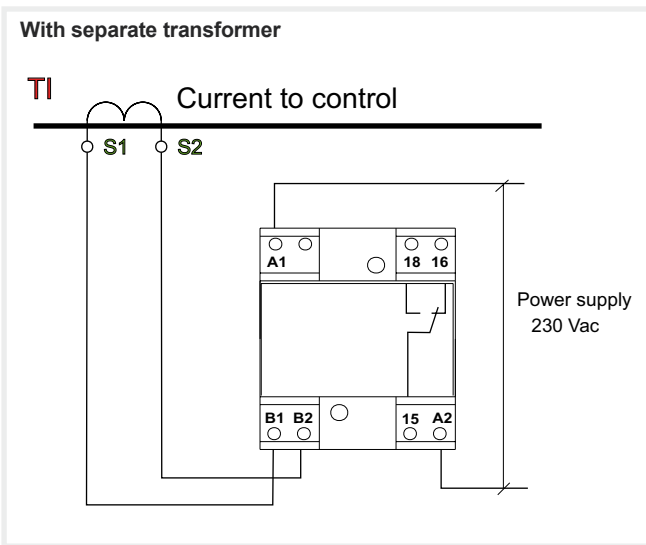
Dimensions



References

Trigger time (adjustable)	Adjustment margin (adjustable)	Type	Code
0.5 ... 30 s	0.5 ... 5 A	WI / 005-30	P32011
0.5 ... 30 s	1 ... 10 A	WI / 010-30	P32012
0.5 ... 30 s	2 ... 20 A	WI / 020-30	P32013
0.5 ... 30 s	5 ... 50 A	WI / 050-30	P32014
0.5 ... 30 s	10 ... 100 A	WI / 0100-30	P32015
0.5 ... 30 s	s / transformer ... / 5 A	WI / TS	P32010

Connections



OMRON

למידע נוסף



0732001311



[www.ateka.co.il](http://www.ateka.co.il)



אפקון  
מקבוצת  
שלמה

**אטקה**