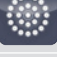




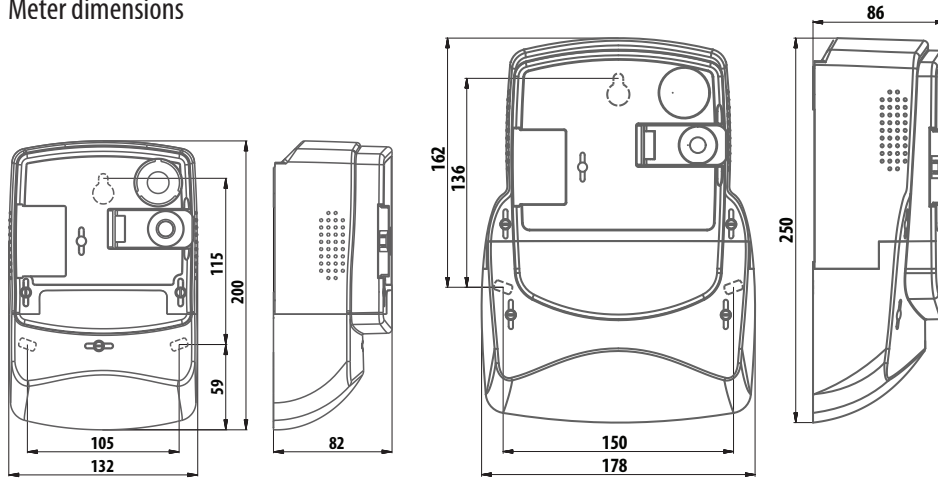
idis


-  4 Quadrant measurement
-  **BS** **DIN** BS / DIN housing
-  Multiple connection types
-  **CT** Direct or current transformer connection
-  **IP54** Ingress protection
-  Load profile
-  Optical port
-  Real-time clock
-  Event logs
-  **dlms** DLMS – COSEM compliance
-  **tariff 8** Multi-rate registration
-  **MID B** **IEC 1** Accuracy class
-  Remote connection/disconnection
-  Photovoltaic ready
-  **M-Bus** M-Bus communication
-  **PLC** Power line communication
-  Alarming
-  **idis** IDIS interoperability

Single and Polyphase smart electricity meter, based on PLC communication is the cost optimal solution for smart residential and mid-size commercial environments. This future-proof investment includes:

- IDIS interoperability
- Remote connection/disconnection
- Multi-Energy management (gas, water, heat)
- Extensive anti-tampering features
- Customer port for in-house display (RJ11)
- Secure communication with encryption and authentication
- Photovoltaic friendly design
- Integrated demand/response functions
- DLMS protocol for easy integration

Meter dimensions



		ME381-D3 BS	ME381-D1 DIN	MT381-D1 DI	MT381-D2 DIN	MT381-T1 CT – DIN	
Type overview							
Network	Low voltage	●	●	●	●	●	
Connection type	1P2W	●	●				
	3P4W			●	●	●	
Communication	Optical port, RJ11 port, M-Bus, PLC						
Input – output options	Output 6 A/230 V relay, Output OPTOMOS 0.1 A, Input alarm, External key input						
Technical specifications							
Nominal voltage U_n	240 V			3 x 240/415 V			
Voltage range	0.8 – 1.15 U_n						
Reference frequency	50 Hz or 60 Hz						
Current	Nominal current I_n	–	–	–	–	5 A	
	Base current I_b	5 or 10 A				10 A	–
	Maximal current I_{max}	100 A	85 A			120 A	6 A
Accuracy class	Active energy	Class 2 or Class 1 (IEC62052 - 11, IEC62053 - 21) A or B (EN 50470 - 3, EN 50470 - 1)					
	Reactive energy	Class 3 or Class 2 (IEC62053 - 23)					
	Apparent energy	Calibrated up to 3%					
Real-time clock	Accuracy	< 5ppm or <±3 min/year					
	Back-up power supply	Super-Cap: > 7 days; Li battery : 10 years, life time up to 20 years					
Switching device	Integrated			External		–	
Temperature ranges (IEC 62052 - 11)	Operation	-25 °C ... +70 °C; extended -40 °C ... +70 °C					
	Storage	-40 °C ... +80 °C					
Ingress protection IEC 60529	IP 54						
Liquid Crystal Display							
Basic functionality							
Measurement	Two way ("energy") measurements, Active energy & power, 4Q Reactive energy & power, Apparent energy & power, Instantaneous value of voltage, Current, Power factor, Frequency and Power, Absolute measurement of active energy & power						
Tariff functions	Time-of-use (TOU) measurement of active energy and maximum demand (up to 8 tariffs, 12 seasons, 12 weekly programs, 16 masks, 16 switches)						
Load profiles	Two Load profiles with different daily and hourly registration periods with up to 32 objects, Four separate profiles for sub-metering (M-bus), Seven independent Event logs for different functionalities						
Communication	Full DLMS-COSEM and IEC 1107 compliance, Four independent communication interfaces: Optical port, RJ11 (for in-house display), M-bus (wired), PLC						
Power quality	Voltage sag, swell and cut, Daily peak and minimum, Voltage and current asymmetry, Power failure						
Specific							
Backlit LCD display, Detection of opening main and terminal cover, External magnetic field detector, Detection of meter wiring, Prepayment, In-house display support, Power quality supervision, Secured communication channels, Switching device up to 3x100A (UC3), Remote FW upgrade, RTC (Super-Cap)							
Optional							
RTC (Li battery), M-Bus (wireless with external dongle), ZigBee (wireless with external dongle)							

למידע נוסף



0732001311



www.ateka.co.il



אפקון
מקבוצת
שלמה

אטקה