



Position switch

Features

- Dimensions and mounting dimensions according to DIN EN 50041
- Compatible with non-Ex DIN limit switches
- Different switching elements

Description

All dimensions and actuating elements of the Ex d position switch correspond to the DIN EN 50041 standard.

Its 30 x 60 mm mounting dimensions make the switch directly compatible to the position switch corresponding to the same DIN standard. The switch is equipped with snap-action contacts with several switching element versions. A microswitch with connection cable Type 07-2511 is mounted as switching element.

Different actuators are available for the variety of actuating possibilities. After the removal of four screws these knobs can be rotated by 90 °C allowing so four different directions of actuation.

Gold-plated or gold-nickel contacts are available for the switching of low currents of voltages.

Standard length of the connection cables are 3 m. BARTEC has designed a very extensive range of Ex e terminal boxes of polyester and aluminium for the connection of the position switch within the Ex area.

Explosion protection

Ex protection type

Position switch type 07-2511

ATEX II 2G Ex d IIC T6 Gb

II 2D Ex tD A21 IP 66 T80 °C

Certification

Gas: PTB 00 ATEX 1093 X

Dust: IBEU 01 ATEX 1007 X

IECEx Ex d IIC T6 Gb

Certification

IECEx PTB 07.0045 X

Other approvals and certificates, see www.bartec-group.com

Operating temperature

-50 °C to +100 °C

depending on the model and the materials used

Limit switch ambient temperature

T6 to max. +75 °C

depending on the rated current

Protection class

IEC/EN 60529: IP 66

➔ Technical data

Protection class

IEC/EN 60529: IP 66

■ Electrical data according to DIN EN 60947-5-1

Rated operating voltage AC 400 V

Utilisation category

AC 15 4 A 250 V

AC 15 2 A 400 V

DC 13 0.15 A 250 V

Isolation voltage 400 V

Ambient temperature +40 °C

AC switching capacity

	ohmic load	inductive load cosφ = 0.6
400 V	3 A	2 A
250 V	5 A	3 A
30 V	7 A	5 A

DC switching capacity

	ohmic load	inductive load L/R = 3 μs
250 V	0.4 A	0.03 A
30 V	7 A	5 A

(further electrical data on request)

Switching elements

see table

Max. switching frequency

1 000 h

Mechanical life

>2 x 10⁶ switching cycles depending on plunger operating speed and angle

Electrical life

dependent on load

Electrical connection

Lead 0.75 mm² HO5VV-F/A05VV-F/
/BETAflam®

other cores and leads on request

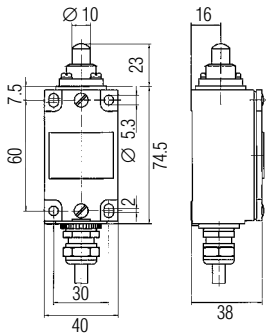
Enclosure material

aluminium

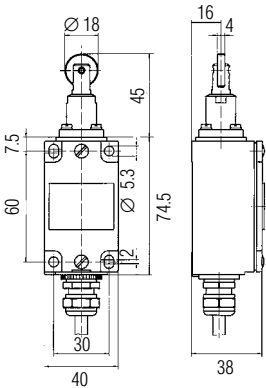


Dimensions*

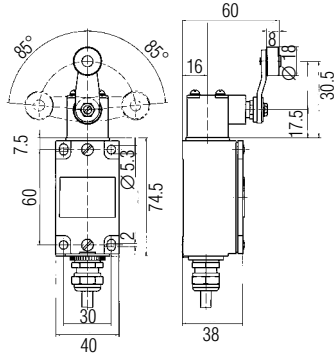
Plunger (Code no. 10)



Roll lever (Code no. 20)



Axle lever (Code no. 30)



Selection chart

Type of contact			Actuators					
Interrupter chamber 1	Interrupter chamber 2	Code no.	Max. operating force	Pretravel	Overtravel	Differential approx.	Max. plunger operating speed	Code no.
	—	10	17 N	1 mm	5 mm	0.4 mm	5 m/s	10
	—	20						
	—	30	17 N	1 mm	5 mm	0.4 mm	5 m/s	20
	—	11						
	—	22						
	—	21	6 N	10°	70°	4°	5 m/s	30
	—	33						
			other actuators on request					

() specification for cable tail



Complete order no.**

Please enter code number.
Technical data subject to change without notice.

07-291 -1 /

Length of connection cable

3 = 3 m
please specify other length in text, plain text
code no. 0

Special versions,
please specify clearly

* Dimensions for actuator are reference values

** Standard product printing:
ATEX and IECEx marking. Other
international imprints obtainable on request.
Please specify in plain text.

	Contact material	Ambient temperature (T _a)
1	Silver	-20 °C to +60 °C
3	Gold	-20 °C to +60 °C
5	Silver	-50 °C to +60 °C
7	Silver	-50 °C to +75 °C
8	Gold	-50 °C to +75 °C

למידע נוסף



0732001311



www.ateka.co.il



אפקון
מקבוצת
שלמה

אטקה