



Position switch

Features

- Dimensions and mounting dimensions according to DIN EN 50041
- Electronic switching inserts with individually adjustable switching points
- Analog switching inserts can transmit through current or voltage paths
- All mechanical N/C contacts as positive opening operation contacts
- Actuating elements can be turned by 4 x 90°
- Model with Ex d "flameproof enclosure" type of protection

Description

Position switches are used wherever movable parts on machinery and systems have to be positioned, controlled and monitored.

They control and facilitate signalling in switching gear or function as switches in regulating and control devices.

The flameproof encapsulated BARTEC position switches can be used in hazardous (potentially explosive) areas in Zones 1 and 2 in accordance with the certified explosion subgroups IIA, IIB and IIC and the temperature class T6 and in Zones 21 and 22 according to the certified maximum surface temperature.

Position switch without actuator

Explosion protection

Ex protection type

ATEX II 2G Ex d IIC T6
 II 2D Ex tD A21 IP 66 T80 °C

Certification

PTB 09 ATEX 1048 X

Other approvals and certificates, see www.bartec-group.com

Ambient temperature

Operation -20 °C to +60 °C
Storage, transport -20 °C to +80 °C

Approved for Zone

1 + 21 and 2 + 22

Technical data

Protection class

IP 66 (IEC/EN 60529)

Weight

approx. 160 g

■ Mechanical switching unit

Rated insulation voltage

400 V

Rated operating voltage/current

AC 15	4 A	400 V
AC 15	6 A	24 V and 240 V
DC 13	3 A	24 V
DC 13	0.8 A	110 V
DC 13	0.3 A	220 V

Rated impulse strength

4 kV AC

Switching frequency

up to 6000/h depending on the type

Service life

mechanical max. 10⁶ switching cycles depending on plunger operating angle/speed

■ Electronic switching unit

Rated voltage

up to DC 30 V

Rated operating voltage/current

DC 12 V	0.015 A
DC 24 V	0.018 A
DC 30 V	0.019 A

Tightening torques

Lid screws max. 0.9 Nm
Pressure screw 5 Nm

Enclosure/plunger material

Thermoplastic



Actuator

Technical data

Weight

depending on the model

Tightening torque

Actuator screws 0.9 Nm

Cable entries

Technical data

Pressure screw (fitted)

M20 x 1.5

Conductor diameter 5 to 8.4 mm

Washer

Inner diameter 8.7 mm

Sealing ring (fitted, without marking)

Inner diameter 8.4 mm

Pressure screw (loose)

M20 x 1.5

Conductor diameter 8 to 12 mm

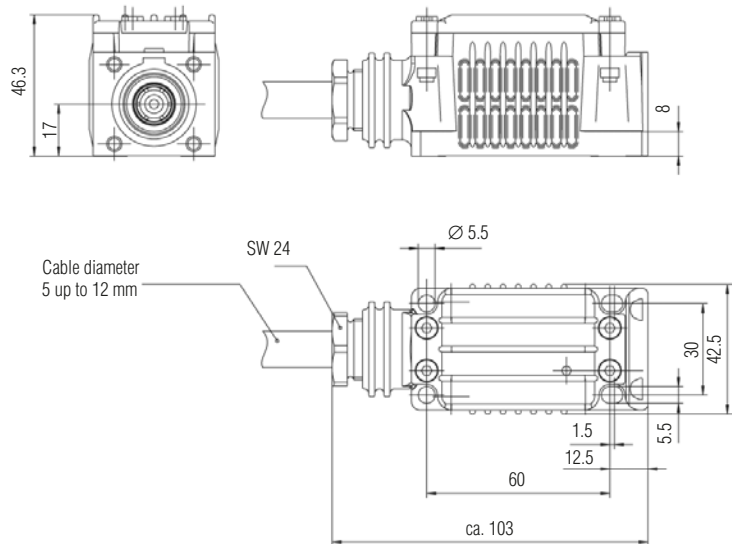
Washer

Inner diameter 12.2 mm

Sealing ring (fitted, without marking)

Inner diameter 11.7 mm

Dimensions



Selection chart

Switching function	Type of contact	Code no.	Actuator	Code no.
Non-overlapping contact making	opening contact /Positive opening contact	166	Dome plunger S-AT4	01
Non-overlapping contact making	N.O. contact/N.O. contact	122	Roller plunger RS-AT4	03
Non-overlapping contact making	N.O. contact/Positive opening contact	126	Roller lever AR-AT4	05
Overlapping contact making	N.O. contact/Positive opening contact	226	Pivoted lever R-AT4, Ø 18, HR 311	09
Snap-action contact element	N.O. contact/Positive opening contact	326	Pivoted lever R-AT4, Ø 30, HR 416	10
Switching point electronically adjustable	N.O. contacts/N.C. contact	421	Pivoted lever R-AT4, adjustable, HV	13
Switching point electronically adjustable	N.O. contacts/N.C. contact	421	Pivoted lever R-AT4, with rod, plastic HHK	14
Switching point electronically adjustable	N.C. contact /N.O. contacts	411	Pivoted lever R-AT4, with rod, metal HHA	15
Analogue switch 4 to 20 mA	electronic	500	Spring steel L=160	16
Analogue switch 0 to 10 V	electronic	500	Spring steel L=130	17
		600	Special version	99

Complete order no. 07-2931-1 /

Please insert correct code. Technical data subject to change without notice.



Position switch with dome plunger

Dimensions	Switching forces, actuation torques, contact travel
	07-2931-112201XX F = max. 20 N
	07-2931-112601XX F = max. 20 N
	07-2931-116601XX F = max. 20 N
	07-2931-122601XX F = max. 20 N
	07-2931-132601XX F = max. 20 N
	07-2931-141101XX F = max. 20 N
	07-2931-142101XX F = max. 20 N
<ul style="list-style-type: none"> Contact closed Contact open Setting range *) Factory setting 	

Position switch with roller plunger

Dimensions	Switching forces, actuation torques, contact travel
	07-2931-112203XX F = max. 20 N
	07-2931-112603XX F = max. 20 N
	07-2931-116603XX F = max. 20 N
	07-2931-122603XX F = max. 20 N
	07-2931-132603XX F = max. 20 N
	07-2931-141103XX F = max. 20 N
	07-2931-142103XX F = max. 20 N
<ul style="list-style-type: none"> Contact closed Contact open Setting range *) Factory setting 	

Position switch with roller lever

Dimensions	Switching forces, actuation torques, contact travel
	07-2931-112205XX F = max. 10 N
	07-2931-112605XX F = max. 10 N
	07-2931-116605XX F = max. 10 N
	07-2931-122605XX F = max. 10 N
	07-2931-132605XX F = max. 10 N
	07-2931-141105XX F = max. 10 N
	07-2931-142105XX F = max. 10 N
<ul style="list-style-type: none"> Contact closed Contact open Setting range *) Factory setting 	

Position switch with pivoted lever

Dimensions	Switching forces, actuation torques, contact travel
	07-2931-112209.....12XX M = max. 0,35 Nm
	07-2931-112609.....12XX M = max. 0,35 Nm
	07-2931-116609.....12XX M = max. 0,35 Nm
	07-2931-122609.....12XX M = max. 0,35 Nm
	07-2931-132609.....12XX M = max. 0,35 Nm
	07-2931-141109.....12XX M = max. 0,35 Nm
	07-2931-142109.....12XX M = max. 0,35 Nm
<ul style="list-style-type: none"> Contact closed Contact open Setting range *) Factory setting 	



Position switch with pivoted lever, adjustable

Dimensions	Switching forces, actuation torques, contact travel
	07-2931-112213XX M = max. 0,35 Nm
	07-2931-112613XX M = max. 0,35 Nm
	07-2931-116613XX M = max. 0,35 Nm
	07-2931-122613XX M = max. 0,35 Nm
	07-2931-132613XX M = max. 0,35 Nm
	07-2931-141113XX M = max. 0,35 Nm
	07-2931-142113XX M = max. 0,35 Nm
<ul style="list-style-type: none"> Contact closed Contact open Setting range *) Factory setting 	

Position switch with pivoted lever, with rod

Dimensions	Switching forces, actuation torques, contact travel
	07-2931-112214...15XX M = max. 0,35 Nm
	07-2931-112614...15XX M = max. 0,35 Nm
	07-2931-116614...15XX M = max. 0,35 Nm
	07-2931-122614...15XX M = max. 0,35 Nm
	07-2931-132614...15XX M = max. 0,35 Nm
	07-2931-141114...15XX M = max. 0,35 Nm
	07-2931-142114...15XX M = max. 0,35 Nm
<ul style="list-style-type: none"> Contact closed Contact open Setting range *) Factory setting 	

Position switch with spring steel, L = 160

Dimensions	Switching forces, actuation torques, contact travel
	07-2931-112216XX
	07-2931-112616XX
	07-2931-116616XX
	07-2931-122616XX
	07-2931-132616XX
	07-2931-141116XX
	07-2931-142116XX
<ul style="list-style-type: none"> Contact closed Contact open Setting range *) Factory setting 	

Position switch with spring steel, L = 130

Dimensions	Switching forces, actuation torques, contact travel
	07-2931-112217XX
	07-2931-112617XX
	07-2931-116617XX
	07-2931-122617XX
	07-2931-132617XX
	07-2931-141117XX
	07-2931-142117XX
<ul style="list-style-type: none"> Contact closed Contact open Setting range *) Factory setting 	

למידע נוסף



0732001311



www.ateka.co.il



אפקון
מקבוצת
שלמה

אטקה