



CHARACTERISTICS

Enclosure and door with formed corners manufactured from 1.5 mm thick pre-satinized AISI 304L stainless steel sheet (AISI 316L on request). Flat mounting plate manufactured from 2.5 mm thick sendzimir sheet steel with slots in the corners. Hinges in stainless steel.

SUPPLY

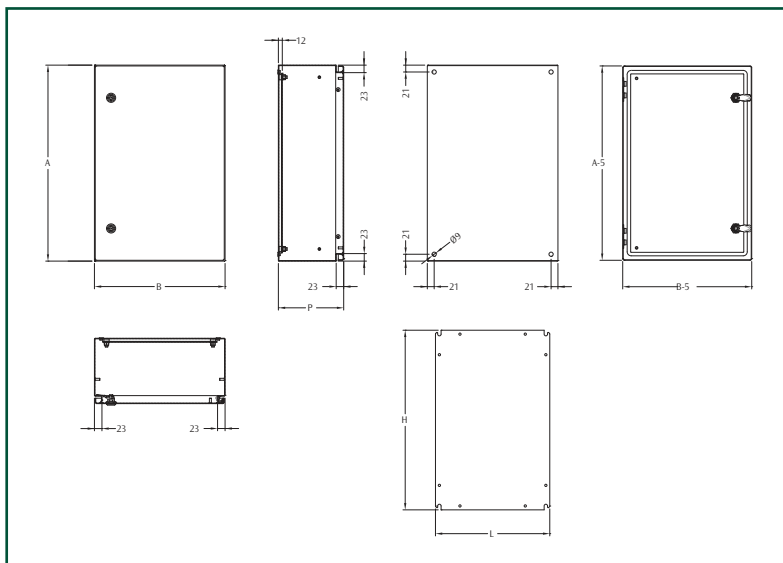
Box complete with:

- mounting plate
- door with locking system (box and insert in zinc alloy, lever in stainless steel) with Ø 3mm double bar key
- package with screws for earth connection and mounting plate.

PROTECTION RATING

- IP66 complying with IEC EN62208; EN62262
- NEMA 4X complying with UL508A; UL50
- protection degree guaranteed by the two-component silicone foam seal*
- impact resistance IK10 complying with IEC EN62208; EN62262.

* From size 600x800, box supplied with door rails already mounted.



STAINLESS STEEL BOX WITH SINGLE BLANK DOOR

| E COR CODE | BOX DIMENSIONS | | | MOUNTING PLATE DIM. | | NO. OF LOCKS / TYPE |
|---------------|----------------|------|-----|---------------------|------|------------------------|
| | B | A | P | L | H | |
| ECOR2-315X | 200 | 300 | 150 | 150 | 250 | 1 |
| ECOR3-315X | 300 | 300 | 150 | 250 | 250 | 1 |
| ECOR3-415X | 300 | 400 | 150 | 250 | 350 | 1 |
| ECOR3-420X | 300 | 400 | 200 | 250 | 350 | 1 |
| ECOR4-315X | 400 | 300 | 150 | 350 | 250 | 1 |
| ECOR4-420X | 400 | 400 | 200 | 350 | 350 | 1 |
| ECOR4-425X | 400 | 400 | 250 | 350 | 350 | 1 |
| ECOR4-520X | 400 | 500 | 200 | 350 | 450 | 1 |
| ECOR4-620X | 400 | 600 | 200 | 350 | 550 | 2 |
| ECOR4-625X | 400 | 600 | 250 | 350 | 550 | 2 |
| ECOR5-520X | 500 | 500 | 200 | 450 | 450 | 1 |
| ECOR5-525X | 500 | 500 | 250 | 450 | 450 | 1 |
| ECOR5-720X | 500 | 700 | 200 | 450 | 650 | 2 |
| ECOR5-725X | 500 | 700 | 250 | 450 | 650 | 2 |
| ECOR6-420X | 600 | 400 | 200 | 550 | 350 | 1 |
| ECOR6-620X | 600 | 600 | 200 | 550 | 550 | 2 |
| ECOR6-625X | 600 | 600 | 250 | 550 | 550 | 2 |
| ECOR6-630X | 600 | 600 | 300 | 550 | 550 | 2 |
| ECOR6-820X | 600 | 800 | 200 | 550 | 750 | 2 |
| ECOR6-825X | 600 | 800 | 250 | 550 | 750 | 2 |
| ECOR6-830X | 600 | 800 | 300 | 550 | 750 | 2 |
| ECOR6-1230X | 600 | 1200 | 300 | 550 | 1150 | ROD SYSTEM |
| ECOR8-830X | 800 | 800 | 300 | 750 | 750 | 2 |
| ECOR8-1030X | 800 | 1000 | 300 | 750 | 950 | 2 |
| ECOR8-1230X | 800 | 1200 | 300 | 750 | 1150 | ROD SYSTEM |

Note: to order the item in high grade AISI 316L, add the suffix "H" to the code. (i.e.: ECOR2-315XH).



CHARACTERISTICS

Enclosure and door with formed corners manufactured from 1.5 mm thick pre-satinized AISI 304L stainless steel sheet (AISI 316L on request). Flat mounting plate manufactured from 2.5 mm thick sendzimir sheet steel provided with slots in the corners. Hinges in stainless steel.

SUPPLY

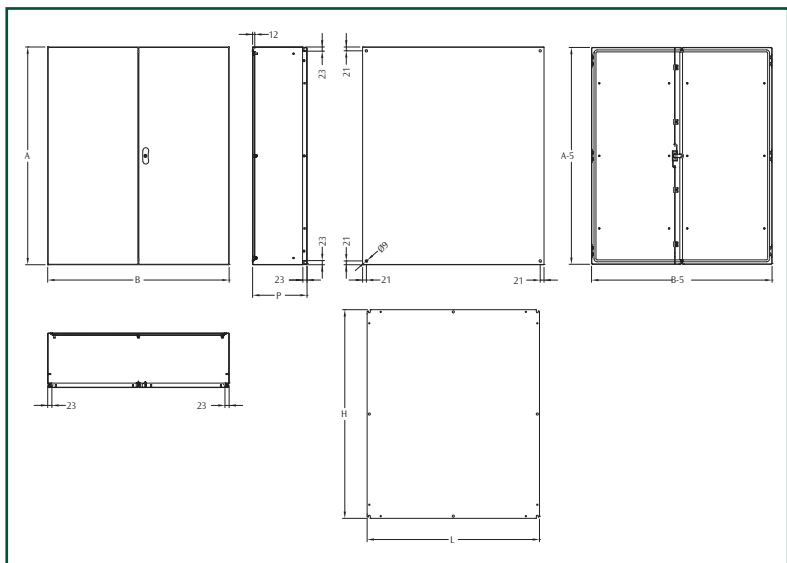
Box complete with:

- mounting plate
- door with locking system (insert in zinc alloy, lever in stainless steel) with Ø 3mm double bar key
- package with screws for earth connection and mounting plate.



PROTECTION RATING

- IP66 complying with IEC EN62208; EN62262
- NEMA 12 complying with UL508A; UL50
- protection degree guaranteed by the two-component silicone foam seal
- impact resistance IK10 complying with IEC EN62208; EN62262.



STAINLESS STEEL BOX WITH DOUBLE BLANK DOOR

| E COR CODE | BOX DIMENSIONS | | | MOUNTING PLATE DIMENSIONS | |
|---------------|----------------|------|-----|---------------------------|------|
| | B | A | P | L | H |
| ECOR10-1030X | 1000 | 1000 | 300 | 950 | 950 |
| ECOR10-1230X | 1000 | 1200 | 300 | 950 | 1150 |

Note: to order the item in high grade AISI 316L, add the suffix "H" to the code. (i.e.: ECOR10-1030XH).

Stainless steel



The requirements of the enclosures that are intended to be used in explosive atmosphere (ATEX) are high: the wide range of ETA boxes fully responds to both the standard required by the directive and the need of the market to have a product for increased safety and with enclosure against dust and gas.

PROTECTION RATING

- IP66 complying with IEC EN62208; EN62262
- NEMA 4 (ST...EE), Nema 4X (E COR...EEX) complying with UL508A; UL50
- protection degree guaranteed by the two-component polyurethane foam seal
- impact resistance IK10 complying with IEC EN62208; EN62262.

CONFORMITY

- Ex II 2G
- Ex e IIC Gb
- Ex II 2GD
- Ex tb IIIC Db

ETA wall-mounting boxes ...EE are in compliance with the European Directive 2014/34/UE that aims to ensure the free circulation in the EU countries for the products concerned and it is applied to the equipment and protective systems indeed to be used in potentially explosive atmosphere (ATEX), for the presence of flammable substances in the form of gases, vapours, mists or dusts.

According to the reference standards EN60079-0; 7 and 60079-31 boxes are "electric enclosures" classified for category II and zones 1, 2, 21, 22 for gas and dust (GD) with protection method EX-e, EX-tb. Protection methods are based on the idea of prevention; to comply with that the directive establishes a high structural level and restrictive features of equipments and components, and strict periodic tests of process on the approved products UNI EN13980 and ISO 9001.

Stainless steel

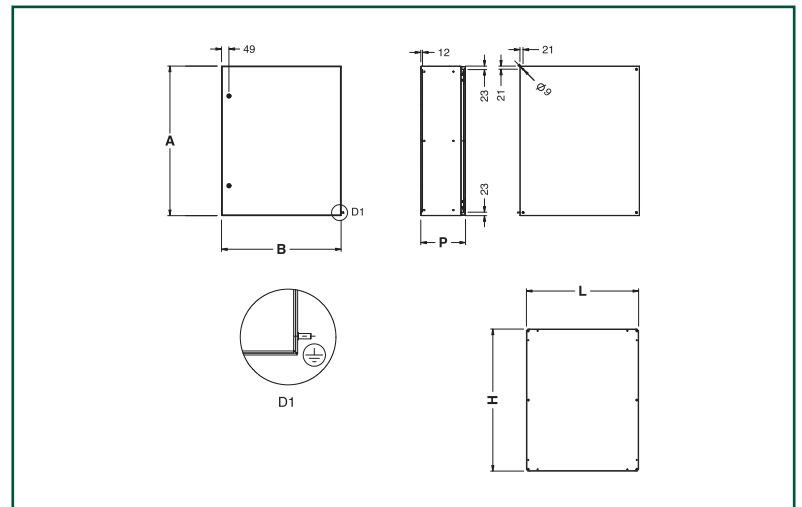


ST ATEX

| ZONE | SAFETY (ATEX) | ENVIROMENT | MATERIAL OF THE ENCLOSURE | SUGGESTED ETA RANGE |
|--------------|---|------------|---------------------------|---------------------|
| 1, 2, 21, 22 | c (constructive) | Industrial | Mild Steel | ST |
| | | Harsh | Stainless Steel | E COR |
| | e (increased) tb (protection by enclosure) | Industrial | Mild Steel | ST...EE |
| | | Harsh | Stainless Steel | ECOR...EEX |

HOW TO CHOOSE YOUR PRODUCT:

| ECOR | 2315 | EE | X |
|---------------|--------------------|-----------------|--------------------|
| Product range | Dimensions (VxHxD) | Version | Material |
| | | EE=safety e; tb | X= stainless steel |
| | | Blank=safety c | Blank=middle steel |



CHARACTERISTICS

Enclosure manufactured from sheet steel supplied without cable entry and with mounting plate manufactured from sendzimir sheet steel. External anti-rotation and anti-slip stud M6 (H=15mm) copper-plated steel, welded on the enclosure.

SUPPLY

- Enclosure complete with:
- mounting plate.
 - door with door with locking system (box and insert in zinc alloy, lever in stainless steel) with Ø 3mm double bar key and two-component polyurethane foam seal
 - package with screws for earth connection and mounting plate.

PAINT FINISH

ETA standard epoxy polyester powder coating. Colour: RAL 7035 textured finish.



Certified:
IMQ09 ATEX037U



CHARACTERISTICS

Structure and door with formed corners manufactured from pre-satinized AISI304L stainless steel sheet (AISI316L on request). Flat mounting plate manufactured from sendzimir sheet steel, with slots in the corners. Hinges in stainless steel. External anti-rotation and anti-slip stud M6 (H=15mm) in AISI304L stainless steel, welded on the enclosure.

SUPPLY

Enclosure complete with:

- mounting plate
- door with locking system (box and insert in zinc alloy, lever in stainless steel) with Ø 3mm double bar key, and two-component polyurethane foam seal
- package with screws for earth connection and mounting plate.

ELECTRIC ENCLOSURES

| CODE | | BOX DIMENSIONS | | | MOUNT. PLATE DIMENSIONS | | NO. OF LOCKS/ ROD SYSTEM |
|-----------------------|--|----------------|------|-----|-------------------------|------|-----------------------------|
| MILD STEEL ST...EE | STAINLESS ST. AISI 304L E COR - EEX | B | A | P | L | H | |
| ST2315EE | ECOR2-315EEX | 200 | 300 | 150 | 150 | 250 | 1 |
| ST3315EE | ECOR3-315EEX | 300 | 300 | 150 | 250 | 250 | 1 |
| ST3415EE | ECOR3-415EEX | 300 | 400 | 150 | 250 | 350 | 1 |
| ST3420EE | ECOR3-420EEX | 300 | 400 | 200 | 250 | 350 | 1 |
| ST3515EE | N.A. | 300 | 500 | 150 | 250 | 450 | 1 |
| ST3520EE | N.A. | 300 | 500 | 200 | 250 | 450 | 1 |
| ST4315EE | ECOR4-315EEX | 400 | 300 | 150 | 350 | 250 | 1 |
| ST4320EE | N.A. | 400 | 300 | 200 | 350 | 250 | 1 |
| ST4420EE | ECOR4-420EEX | 400 | 400 | 200 | 350 | 350 | 1 |
| N.A. | ECOR4-425EEX | 400 | 400 | 250 | 350 | 350 | 1 |
| ST4515EE | N.A. | 400 | 500 | 150 | 350 | 450 | 1 |
| ST4520EE | ECOR4-520EEX | 400 | 500 | 200 | 350 | 450 | 1 |
| ST4525EE | N.A. | 400 | 500 | 250 | 350 | 450 | 1 |
| ST4620EE | ECOR4-620EEX | 400 | 600 | 200 | 350 | 550 | 2 |
| ST4625EE | ECOR4-625EEX | 400 | 600 | 250 | 350 | 550 | 2 |
| ST4640EE | N.A. | 400 | 600 | 400 | 350 | 550 | 2 |
| ST5520EE | ECOR5-520EEX | 500 | 500 | 200 | 450 | 450 | 1 |
| N.A. | ECOR5-525EEX | 500 | 500 | 250 | 450 | 450 | 1 |
| ST5720EE | ECOR5-720EEX | 500 | 700 | 200 | 450 | 650 | 2 |
| ST5725EE | ECOR5-725EEX | 500 | 700 | 250 | 450 | 650 | 2 |
| ST6420EE | ECOR6-420EEX | 600 | 400 | 200 | 550 | 350 | 1 |
| ST6430EE | N.A. | 600 | 400 | 300 | 550 | 350 | 1 |
| ST6620EE | ECOR6-620EEX | 600 | 600 | 200 | 550 | 550 | 2 |
| N.A. | ECOR6-625EEX | 600 | 600 | 250 | 550 | 550 | 2 |
| ST6630EE | ECOR6-630EEX | 600 | 600 | 300 | 550 | 550 | 2 |
| ST6640EE | N.A. | 600 | 600 | 400 | 550 | 550 | 2 |
| ST6820EE | ECOR6-820EEX | 600 | 800 | 200 | 550 | 750 | 2 |
| ST6825EE | ECOR6-825EEX | 600 | 800 | 250 | 550 | 750 | 2 |
| ST6830EE | ECOR6-830EEX | 600 | 800 | 300 | 550 | 750 | 2 |
| ST6840EE | N.A. | 600 | 800 | 400 | 550 | 750 | 2 |
| ST61025EE | N.A. | 600 | 1000 | 250 | 550 | 950 | 2 |
| ST61030EE | N.A. | 600 | 1000 | 300 | 550 | 950 | 2 |
| ST61040EE | N.A. | 600 | 1000 | 400 | 550 | 950 | 2 |
| ST8830EE | ECOR8-830EEX | 800 | 800 | 300 | 750 | 750 | 2 |
| ST8840EE | N.A. | 800 | 800 | 400 | 750 | 750 | 2 |
| ST81030EE | ECOR8-1030EEX | 800 | 1000 | 300 | 750 | 950 | 2 |
| ST81040EE | N.A. | 800 | 1000 | 400 | 750 | 950 | 2 |
| ST61230EE | ECOR6-1230EEX | 600 | 1200 | 300 | 550 | 1150 | ROD SYSTEM |
| ST81230EE | ECOR8-1230EEX | 800 | 1200 | 300 | 750 | 1150 | ROD SYSTEM |

Stainless steel

Note: to order the item in high grade AISI316L, add the suffix "H" to the code. (i.e.: ECOR6-830EEXH). Available on request.
Note: further dimensions available on request.



CHARACTERISTICS

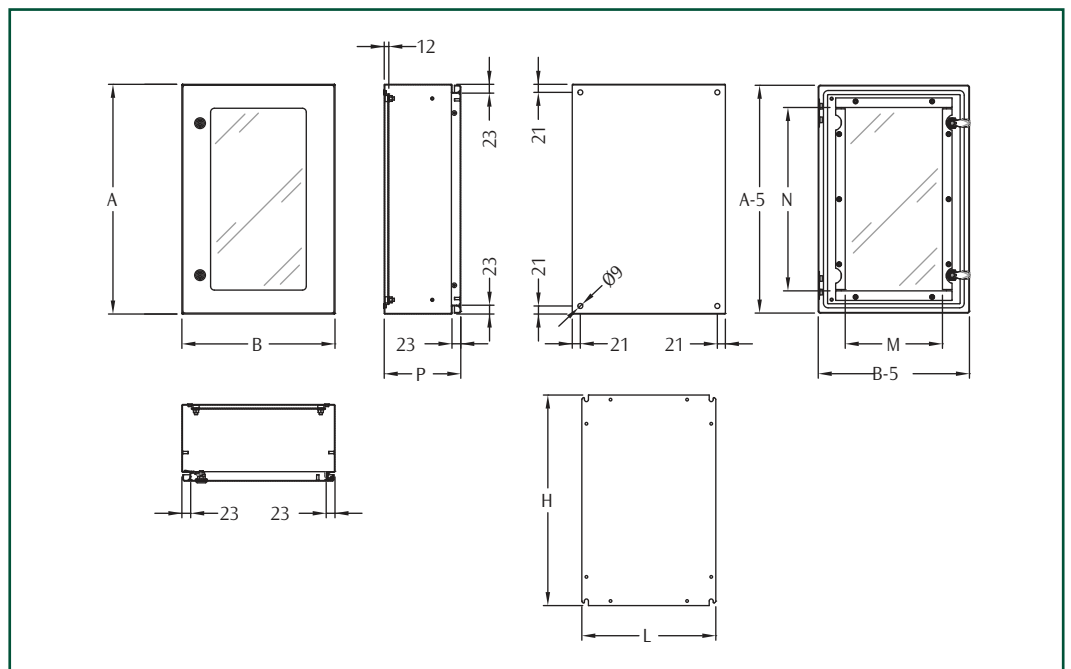
Enclosure manufactured from 1.5 mm thick pre-satinized AISI 304L stainless steel sheet (AISI 316L on request). Plexi door with formed corners, silicone seal and 4.0 mm thick plexiglass (fixed with a frame). Flat mounting plate manufactured from 2.5 mm thick sendzimir sheet steel with slots in the corners. Hinges in stainless steel.

SUPPLY

- Box complete with:
- mounting plate
 - door with locking system (box and insert in zinc alloy, lever in stainless steel) with Ø 3mm double bar key, and silicone seal
 - package with screws for earth connection and mounting plate.

PROTECTION RATING

- IP66 complying with IEC EN62208; EN62262
- NEMA 12 complying with UL508A; UL50
- protection degree guaranteed by the two-component silicone foam seal.
- impact resistance IK10 complying with IEC EN62208; EN62262.



Stainless steel

STAINLESS STEEL BOX WITH PLEXI DOOR

| E COR CODE | BOX DIMENSIONS | | | DOOR SPACE | | MOUNTING PLATE DIM. | | NUMBER OF LOCKS |
|---------------|----------------|------|-----|------------|-----|---------------------|-----|--------------------|
| | B | A | P | M | N | L | H | |
| ECOR3-420PVX | 300 | 400 | 200 | 150 | 275 | 250 | 350 | 1 |
| ECOR4-520PVX | 400 | 500 | 200 | 250 | 375 | 350 | 450 | 1 |
| ECOR4-620PVX | 400 | 600 | 200 | 250 | 475 | 350 | 550 | 2 |
| ECOR5-725PVX | 500 | 700 | 250 | 350 | 575 | 450 | 650 | 2 |
| ECOR6-820PVX | 600 | 800 | 200 | 450 | 675 | 550 | 750 | 2 |
| ECOR6-825PVX | 600 | 800 | 250 | 450 | 675 | 550 | 750 | 2 |
| ECOR8-1030PVX | 800 | 1000 | 300 | 650 | 875 | 750 | 950 | 2 |

Note: to order the item in high grade AISI 316L, add the suffix "H" to the code. (i.e.: ECOR4-620PVXH).

FUNCTIONAL FRAME ECMI

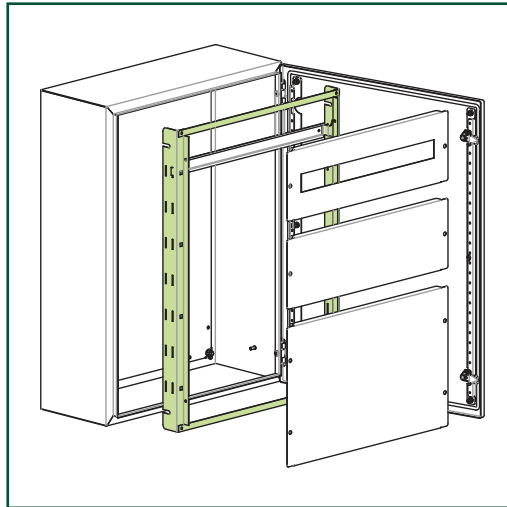
CHARACTERISTICS

Internal frame for the assembly of modular panels and DIN rails. Manufactured from 1.5 mm thick stainless steel sheet AISI304L (on request AISI316L).

SUPPLY

Includes 1 piece with mounting accessories.

* For boxes with D=150 mm, the functional frame is not used



FUNCTIONAL FRAME

| ECMI CODE | DIMENSIONS | | DESCRIPTION |
|--------------|------------|--------|---------------------------|
| | WIDTH | HEIGHT | |
| ECMI-040060X | 400 | 600 | 3 rows for 14 DIN modules |
| ECMI-060080X | 600 | 800 | 4 rows for 14 DIN modules |
| ECMI-080100X | 800 | 1000 | 5 rows for 14 DIN modules |

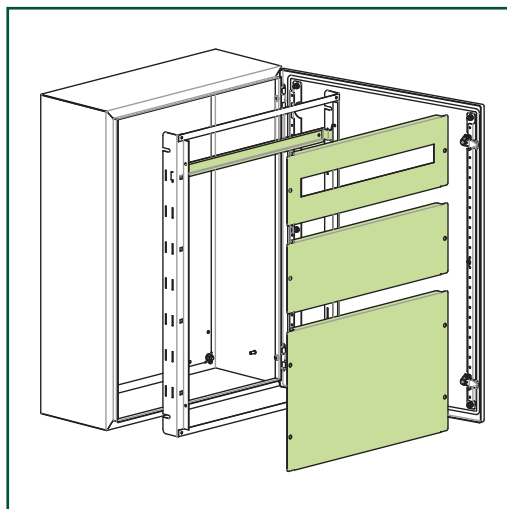
MODULAR PANELS ECPM/ECAV

CHARACTERISTICS

Modular panels manufactured from 1.5 mm thick stainless steel sheet AISI304L (AISI 316L on request). Available in blank version or for DIN rail, they can be easily mounted on E COR boxes using the functional frame ECMI.

SUPPLY

Includes 1 piece with mounting accessories (ECPM panel including 2 brackets and DIN rail).



Stainless steel

MODULAR PANELS FOR DIN RAILS*

| ECPM CODE | DIMENSIONS | | NO. OF MODULES |
|--------------|------------|--------|-------------------|
| | WIDTH | HEIGHT | |
| ECPM-040180X | 400 | 180 | 14 |
| ECPM-060180X | 600 | 180 | 25 |
| ECPM-080180X | 800 | 180 | 36 |

* DIN rails and brackets included

MODULAR BLANK PANELS

| ECAV CODE | DIMENSIONS | |
|--------------|------------|--------|
| | WIDTH | HEIGHT |
| ECAV-040180X | 400 | 180 |
| ECAV-060180X | 600 | 180 |
| ECAV-060360X | 600 | 360 |
| ECAV-080180X | 800 | 180 |
| ECAV-080360X | 800 | 360 |

DIN RAIL WITH BRACKETS

| ECDI CODE | DIMENSIONS | | NO. OF MODULES |
|--------------|------------|--------|-------------------|
| | WIDTH | HEIGHT | |
| ECDI-014040 | 400 | 140 | 14 |
| ECDI-025060 | 600 | 250 | 25 |
| ECDI-036080 | 800 | 360 | 36 |

INNER DOOR ECPO

CHARACTERISTICS

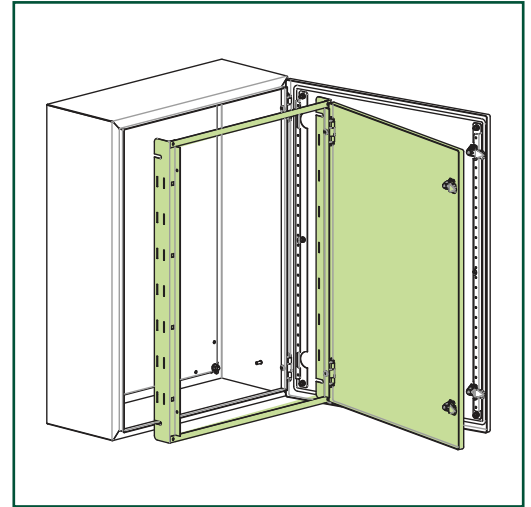
Manufactured from stainless steel sheet AISI304L (on request AISI316L).

SUPPLY

Includes 1 piece with ECMI frame, hinges, closing systems and screws.

Note: Available for E COR P=150mm.

| INNER DOOR | | |
|--------------|------------|--------|
| ECPO CODE | DIMENSIONS | |
| | WIDTH | HEIGHT |
| ECPO1-34X | 300 | 400 |
| ECPO1-45X | 400 | 500 |
| ECPO1-46X | 400 | 600 |
| ECPO1-57X | 500 | 700 |
| ECPO1-68X | 600 | 800 |
| ECPO1-810X | 800 | 1000 |



LOCK WE001X

For food industry or special applications in harsh environments where high hygienic standards are required, a specific locking system is available.

Note: WE002X key to be ordered separately.



RAIN CANOPY ECTT

Particularly suitable for outdoor installations where it is required an additional protection against atmospheric agents.

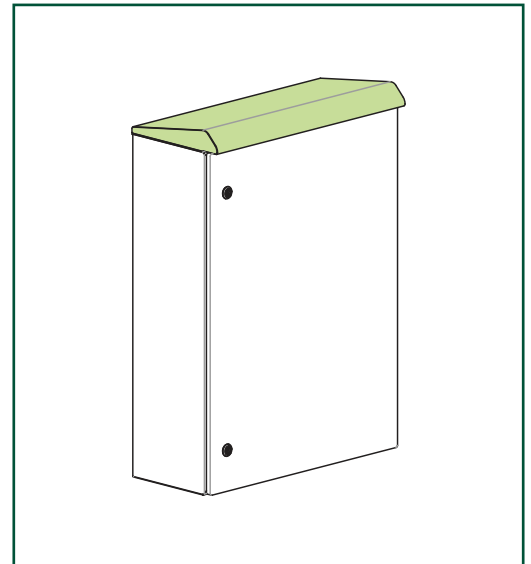
CHARACTERISTICS

Manufactured from 1.5 mm thick AISI 304L stainless steel sheet (AISI 316L available on request).

SUPPLY

Includes 1 piece with mounting accessories.

| CANOPY | | |
|--------------|------------|--------|
| ECTT CODE | DIMENSIONS | |
| | WIDTH | DEPPTH |
| ECTT1-04X | 400 | 200 |
| ECTT1-05X | 500 | 200 |
| ECTT2-05X | 500 | 250 |
| ECTT1-06X | 600 | 250 |
| ECTT2-08X | 800 | 300 |



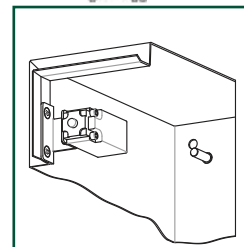
MICROSWITCH W1100ST

CHARACTERISTICS

Complying with standards IEC337-VDE0660. Mounting bracket manufactured from sendzimir sheet steel for a fast-assembly on ST wall-mounting boxes.

SUPPLY

- microswitch
- mounting bracket
- screws



PLINTH EUZX

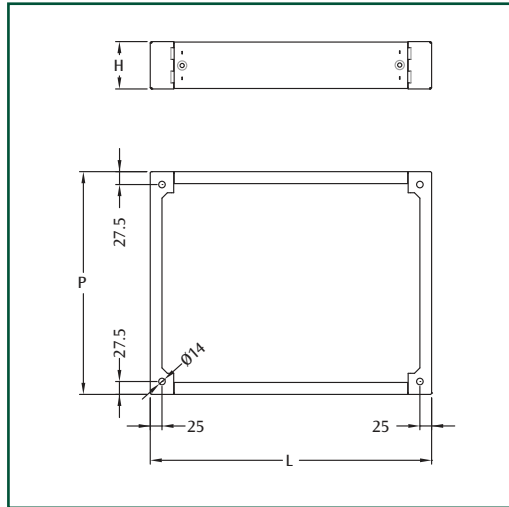
CHARACTERISTICS

Front crosspieces and side crosspieces with integrated corners manufactured from 2.0 mm thick AISI 304L stainless steel (AISI 316L on request).

SUPPLY

The plinth is made up of:

- front crosspieces: supply includes 2 pieces
- side crosspieces with integrated corners: supply includes 2 pieces with mounting screws.



DIMENSIONAL SPECIFICATIONS

| BOX DIMENSIONS | | PLINTH DIM. | |
|----------------|-----|-------------|-----|
| L | P | L | P |
| 600 | 300 | 600 | 275 |
| 800 | 300 | 800 | 275 |
| 1000 | 300 | 1000 | 275 |

SIDE CROSSPIECES WITH INTEGRATED CORNERS E COR

| EUZX CODE | DESCRIPTION | CROSS. HEIGHT MM |
|--------------|---|------------------|
| EUZX-P0300P | SIDE CROSSPIECES WITH INTEGRATED CORNERS FOR PLINTH D=300 | 100 |
| EUZX-P0300PD | SIDE CROSSPIECES WITH INTEGRATED CORNERS FOR PLINTH D=300 | 200 |

FRONT CROSSPIECES E COR

| EUZX CODE | DESCRIPTION |
|-------------|-------------------------------------|
| EUZX-L0600M | FRONT CROSSPIECES FOR PLINTH W=600 |
| EUZX-L0800M | FRONT CROSSPIECES FOR PLINTH W=800 |
| EUZX-L1000M | FRONT CROSSPIECES FOR PLINTH W=1000 |

Note: to order the plinth H=200 mm, order 2 packages of front crosspieces (i.e. Plinth H=200 mm dim. 600x300: 1 x EUZX-P0300PD + 2 x EUZX-L0600M).

Note: to order the item in higher grade AISI316L, add the suffix "H" to the code (i.e. EUZX-P0300PH).

Stainless steel

WALL MOUNTING BRACKETS SDWCX-010

Manufactured from 2.5 mm thick AISI316L stainless steel.

SUPPLY

Includes 4 pieces.



DOOR STOP WA061X

It allows the mechanical stop of the door (90°), preventing the accidental closing.

Supply includes 1 piece with mounting accessories.

Stainless steel cable glands are available (see pages 257 and 258).



למידע נוסף



0732001311



www.ateka.co.il



אפקון
מקבוצת
שלמה

אטקה