

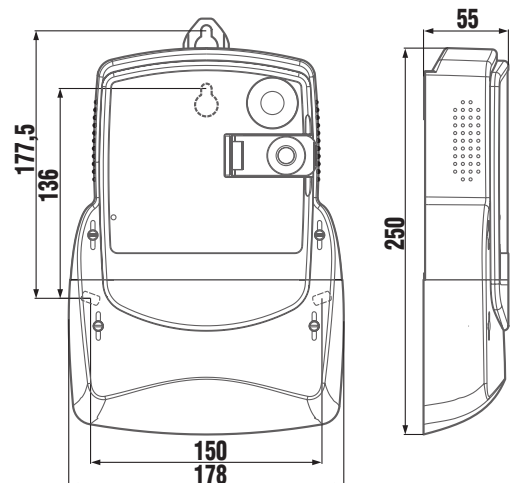


<b>kWh</b>	<b>kvarh</b>	<b>kVAh</b>	Active, Reactive and Apparent Energy
<b>DIN</b>	DIN housing		
			Multiple connection types
<b>CT</b>	Direct or current transformer connection		
<b>IP54</b>	Ingress protection		
	Load profile		
	Optical port		
	Real-time clock		
	Event log		
<b>RS485</b>	RS485 interface		
<b>tariff 4</b>	Multi-rate registration		
<b>MID B</b>	<b>IEC 1</b>	Accuracy class	
	Magnetic field detection		
	Photovoltaic ready		
	Maximum demand		
	4 Quadrant measurement		


With a future-proof design the Polyphase MT174 is ready to suit many diverse customer requirements. High quality manufacturing process enables the meter to deliver the performance, expected in residential and small commercial environments. It includes a wide variety of functionalities:

- Extensive anti-tampering features
- Photovoltaic friendly design
- RS communication interface (RS485)
- Up to four tariff schemes
- Extended load profile
- Time-of-use (TOU) – internal tariffication

### Meter dimensions



# BASIC MT174 Polyphase multi-tariff meter

		MT174-D1 DIN	MT174-D2 DIN	MT174-T1 DIN
<b>Type overview</b>				
<b>Network</b>	Low voltage	●	●	●
<b>Connection type</b>	1P2W	●	●	
	3P3W	●	●	
	3P4W	●	●	●
<b>Communication</b>	RS485, Optical port			
<b>Input – output options</b>	Output S0, Output OPTOMOS, Tariff input (1 or 2)			
<b>Technical specifications</b>				
<b>Nominal voltage</b> $U_n$	3 x120 V, 3 x 230/400 V, 3 x 230 V, 230 V, 3 x 400 V			3 x 230/400 V, 3 x 230 V
<b>Voltage range</b>	0.8 – 1.15 $U_n$			
<b>Reference frequency</b>	50 Hz or 60 Hz			
<b>Current</b>	Base current $I_b$	5 A or 10 A		1 A
	Starting current $I_{st}$	5A => Class 2: 0.025 A, Class 1: 0.02 A 10A => Class 2: 0.05 A, Class 1: 0.04 A		2 mA
	Maximal current $I_{max}$	85 A	120 A	6 A
<b>Accuracy class</b>	Active energy	Class 2 or Class 1 ( IEC 62053 - 21 or IEC 62053 - 23) A or B (EN 50470 - 3)		
	Reactive energy	Class 3 or Class 2		
	Apparent energy	Class 3 or Class 2		
<b>Real-time clock</b>	Accuracy	Better than $\pm 3$ min/year at 23 °C		
	Back-up power supply	Li battery: 5 years life time up to 20 years		
<b>Temperature ranges (IEC 62052 - 11)</b>	Operation	-40 °C ... +60 °C; extended -40 °C ... +70 °C		
	Storage	-40 °C ... +80 °		
<b>Ingress protection IEC 60529</b>	IP 54			
<b>Liquid Crystal Display</b>				
<b>Basic functionality</b>				
<b>Measurement</b>	Two way ("energy") measurements, Active, Reactive and Apparent energy and demand in 3-phase 4- and 3-wire networks, Measurement by phases and polyphase, quantities of measurement: Voltages by phases, Currents by phases, Power factors by phases, Frequency, Measurement of instantaneous power			
<b>Tariff functions</b>	Time-of-use (TOU) measurement of active energy and maximum demand (up to 4 tariffs, 10 seasons, 10 weekly programs, 10 daily definitions, 10 tariff change over inside individual daily tariff programs, 46 holidays)			
<b>Load profiles</b>	Load profile recorder with up to 8 channels, Possibility to set the recording period on 5, 10, 15, 30 or 60 minutes			
<b>Communication</b>	IEC 1107 compliance, Two communication interfaces: Optical port, RS485			
<b>Real-time clock (RTC)</b>	Compliant with IEC 62054 - 21 standard, RTC with calendar, based on 32 kHz quartz crystal, RTC accuracy: better than $\pm 3$ min/year, operation reserve: 5 years, expected Li battery life time: 20 years, Counter of elapsed time of RTC operation, Li battery enables data display on LCD when meter is in no-power state			
<b>Specific</b>				
Backlit LCD display, Detection of opening main and terminal cover, External magnetic field detector, Detection of meter wiring, Secured communication channels, "Scroll" pushbutton and covered "Reset" pushbutton				
<b>Optional</b>				
RTC, Load profile, RS485 interface, Inputs/Outputs				



Iskraemeco, Energy Measurement and Management  
 4000 Kranj, Savska loka 4, Slovenia  
 Telephone: +386 4 206 40 00  
<http://www.iskraemeco.com>, e-mail: [info@iskraemeco.com](mailto:info@iskraemeco.com)

למידע נוסף



0732001311



[www.ateka.co.il](http://www.ateka.co.il)



אפקון  
מקבוצת  
שלמה

**אטקה**