



# EJB Enclosures

Ex Enclosures

**Installation:** hazardous areas - Zone 1 / 2 (Gases) - Zone 21 / 22 (Dusts)

**Classification:** Group II - Category 2G 2D


## REFERENCE STANDARDS

**Directive 94/9/EC (until April 19th, 2016) and Directive 2014/34/EU (from April 20th, 2016)**

EXECUTION	(⊕ II 2 G) Ex db IIB+H <sub>2</sub> T6...T3 (⊕ II 2 G) Ex db [ia/ib] IIB+H <sub>2</sub> T6...T3 (⊕ II 2 D) Ex tb IIIC T85°C...T150°C
RULES OF COMPLIANCE	EN/IEC 60079-0; EN/IEC 60079-1; EN/IEC 60079-11; EN/IEC 60079-31
EC Type-Examination Certificate	INERIS 13 ATEX 0022X
PROTECTION DEGREE	IP66
AMBIENT TEMPERATURE	-60°C ÷ +60°C
OTHER AVAILABLE CERTIFICATES	Component: INERIS 13 ATEX 9019U IECEx: IECEx INE 13_0070X INMETRO: CEPEL 12.2139 EAC: TC RU C-IT.Г508.B.01499 RINA: ELE18111CS_012 RUSSIAN MARINE CERTIFICATE (RMRS): 13.03518.315 NEC 505: UL 20141204-E302348 - Type rating NEMA 1, 12, 4 and 4X

### Mechanical characteristics

Body/cover	marine grade copper free aluminium light alloy
Screws	stainless steel
Internal mounting plate	hot dip galvanized steel / aluminum
Fixing	fixing lugs AL UNI EN 1706:1999 - galvanized steel stirrups sp. 10mm (EJB71/73-91/93)
Hinges	On the long side - cast on enclosure body and cover

### On Request Accessories:

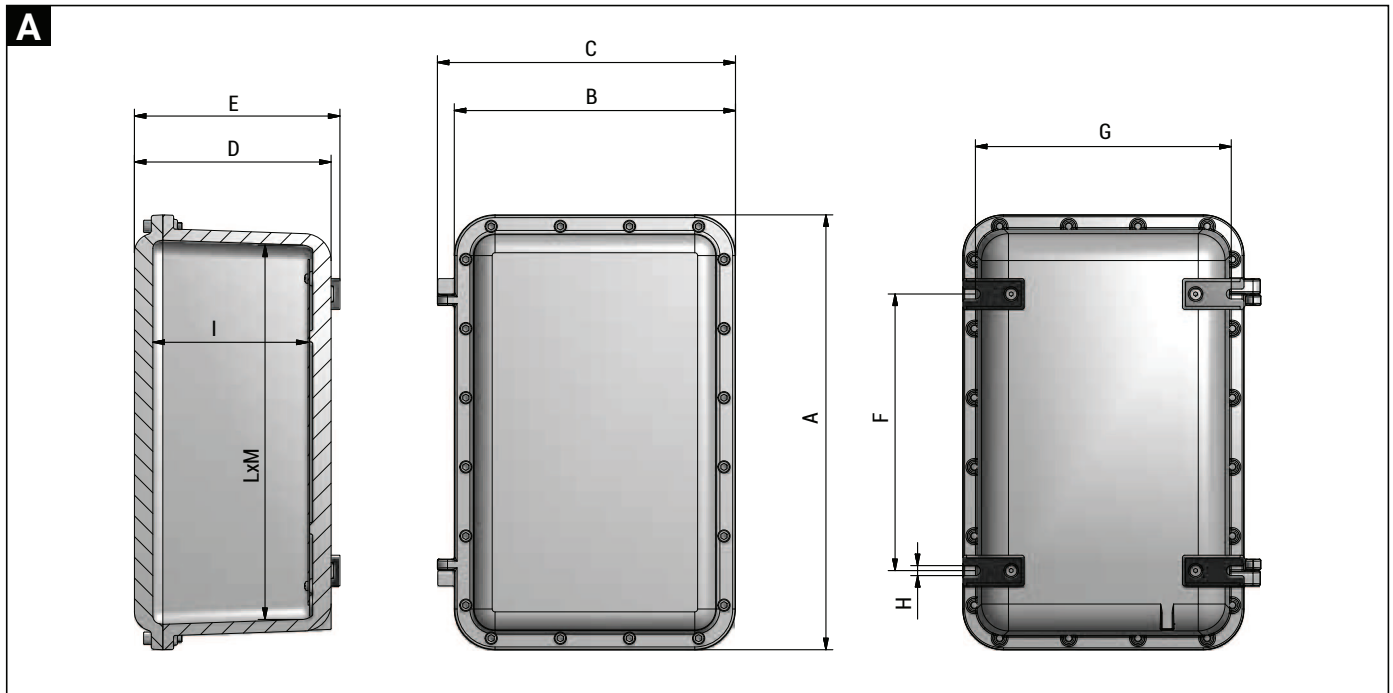
- External epoxy painting with colour on request
- Internal anticondensate painting orange RAL-2004
- O-Ring gaskets on cover
- Glass windows on cover
- Drain and breather valves
- Galvanized steel body & cover
- Cast iron body & cover



# EJB Technical features

CODE	A [mm]	B [mm]	C [mm]	D [mm]	E [mm]	F [mm]	G [mm]	H [mm]	I [mm]	L [mm]	M [mm]	INT. PLATE X - Y [mm]	WEIGHT [Kg]	DETAIL
EJB-08	380	170	188	126	136	270	156	11	91	315	105	305 - 85	8,2	A
EJB-11	175	175	197	122	132	78	171	11	90	113	113	100 - 100	4,00	A
EJB-21	284	245	267	169	179	160	241	11	121	216	176	180 - 140	11,20	A
EJB-22	300	200	221	222	232	195	186	11	174	229	129	180 - 100	11,30	A
EJB-23	310	260	281	197	207	195	251	11	152	245	195	200 - 160	13,30	A
EJB-30	415	315	337	164	174	294	299	11	113	345	245	300 - 200	19,50	A
EJB-31	415	315	337	246	256	294	299	11	195	345	245	300 - 200	24,20	A
EJB-51	566	366	388	256	268	360	337	13	200	487	287	450 - 250	36,10	A
EJB-61	670	470	491	361	373	500	443	13	307	580	380	530 - 330	68,10	A
EJB-63	670	470	491	236	248	500	443	13	182	580	380	530 - 330	50,50	A
EJB-71	742	542	572	429	439	520	580	16	331	632	432	590 - 390	110,40	A
EJB-73	742	542	572	311	321	520	580	16	213	632	432	590 - 390	95,60	A
EJB-91	960	660	697	462	472	700	650	16	350	825	525	750 - 440	188,50	A
EJB-93	960	660	697	305	315	700	650	16	193	825	525	750 - 440	166,50	A

## Reference details



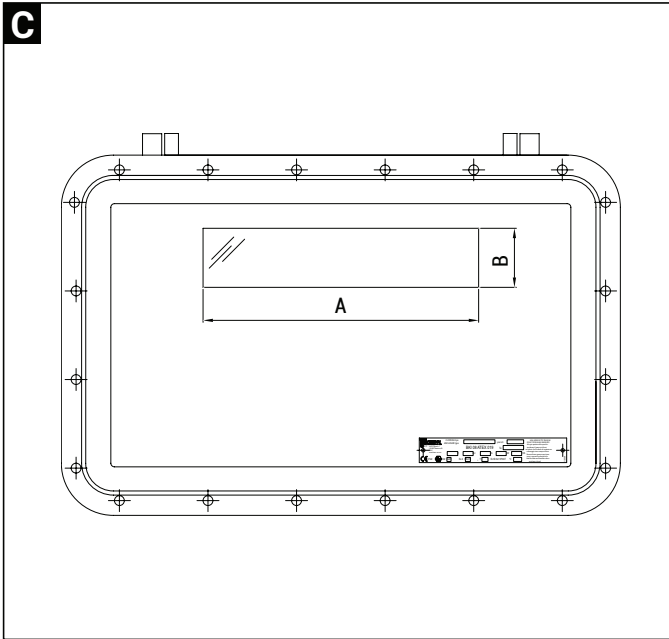
## EJB Glass windows on cover

WINDOW CODE	ENCLOSURE CODE										DIMENSIONS		DETAIL
	EJB-08	EJB-11	EJB-21	EJB-22	EJB-23	EJB-30/31	EJB-51	EJB-61/63	EJB-71/73	EJB-91/93	A [mm]	B [mm]	
F1	X	X	X	X	X	X	X	X	X	X	60	60	C
F2	-	-	X	X	X	X	X	X	X	X	75	75	C
F3	-	-	X	X	X	X	X	X	X	X	110	75	C
F4	-	-	X	X	X	X	X	X	X	-	150	75	C
F5	-	-	-	-	-	X	X	X	-	-	150	150	C
F6	-	-	-	-	-	-	X	X	-	-	300	75	C
F7	-	-	-	-	-	-	X	X	-	-	300	150	C
F8	-	-	-	-	-	-	-	X	-	-	300	300	C
F9	-	-	-	-	-	-	-	X	-	-	450	300	C

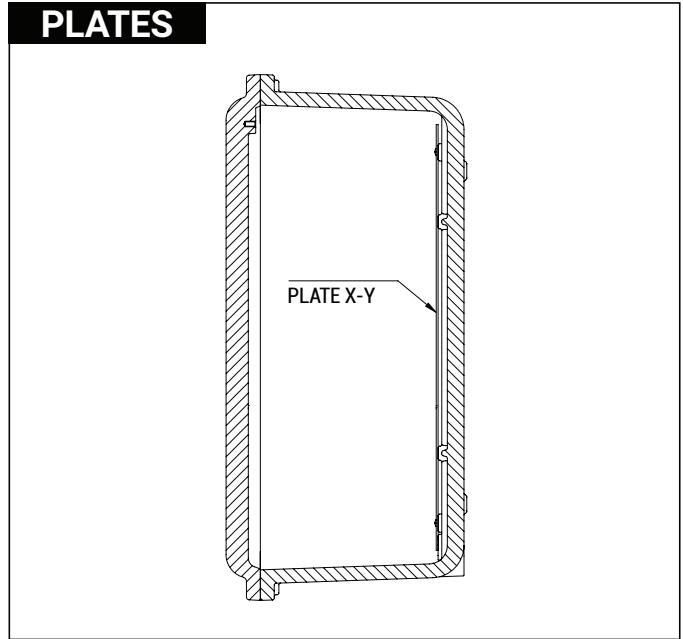


## EJB Glass windows on cover

Reference details



Reference details



## EJB Indicative quantity of terminals and relevant section

CODE	SECT. 2,5 [sq/mm]	SECT. 6,0 [sq/mm]	SECT. 10,0 [sq/mm]	SECT. 16,0 [sq/mm]	SECT. 35,0 [sq/mm]	SECT. 50,0 [sq/mm]	SECT. 70,0 [sq/mm]	SECT. 240,0 [sq/mm]	INT. PLATE X - Y [mm]
EJB-08	24 x 1	18 x 1	10 x 1	-	-	-	-	-	305 - 85
EJB-11	12 x 1	8 x 1	6 x 1	-	-	-	-	-	100 - 100
EJB-21	30 x 1	20 x 1	14 x 1	12 x 1	9 x 1	7 x 1	5 x 1	1 x 1	180 - 140
EJB-22	30 x 1	20 x 1	14 x 1	12 x 1	9 x 1	7 x 1	5 x 1	1 x 1	180 - 100
EJB-23	35 x 1	22 x 1	16 x 1	14 x 1	11 x 1	9 x 1	7 x 1	2 x 1	200 - 160
EJB-30	52 x 2	32 x 2	24 x 2	20 x 2	14 x 2	12 x 1	8 x 1	4 x 1	300 - 200
EJB-31	52 x 2	32 x 2	24 x 2	20 x 2	14 x 2	12 x 1	8 x 1	4 x 1	300 - 200
EJB-51	80 x 2	46 x 2	36 x 2	30 x 2	22 x 2	18 x 2	16 x 1	6 x 1	450 - 250
EJB-61/63	92 x 3	58 x 3	46 x 3	38 x 3	28 x 3	26 x 2	22 x 2	12 x 1	530 - 330
EJB-71/73	110 x 3	70 x 3	56 x 3	46 x 3	34 x 3	28 x 2	24 x 2	12 x 1	590 - 390
EJB-91/93	140 x 3	90 x 3	70 x 3	60 x 3	44 x 3	36 x 3	32 x 2	14 x 2	750 - 440

## EJB Body and cover enclosures drilling layout

ENCLOSURE CODE	DRILLING AREA A-B [mm]	QUANTITY ALLOWED ENTRIES FOR SIZE (from 1 to size 8)							
		1	2	3	4	5	6	7	8
EJB-08	300x60	9	6	5	4	4	-	-	-
EJB-11	100x60	3	2	2	1	1	-	-	-
EJB-21	200x90	10	7	5	3	2	2	1	-
EJB-22	215x130	15	11	8	6	6	3	2	1
EJB-23	215x105	11	8	6	4	3	3	2	1
EJB-30	320x65	13	7	5	5	4	3	-	-
EJB-31	320x150	28	18	14	11	8	6	3	2
EJB-51	460x155	44	27	24	20	12	10	6	3
EJB-61	550x250	72	50	36	32	21	21	14	8
EJB-63	550x130	36	29	18	16	14	7	5	4
EJB-71	570x270	90	55	46	39	32	21	15	10
EJB-73	570x160	40	26	22	18	14	12	7	4
EJB-91	745x290	112	84	65	55	40	28	23	14
EJB-93	745x145	48	42	29	22	10	11	9	5

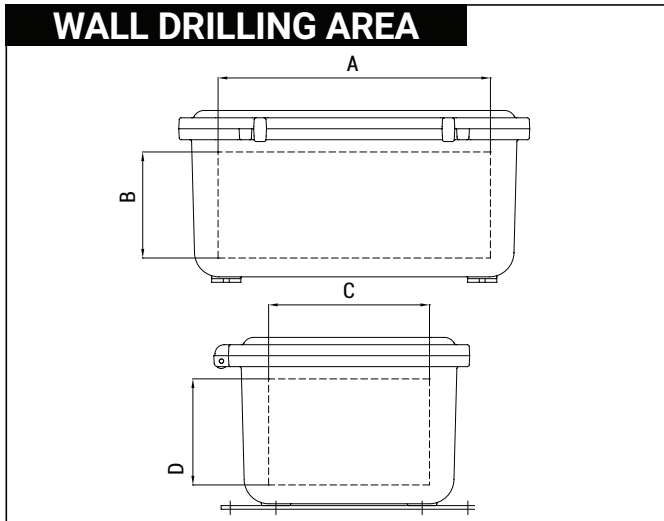
DRILLING AREA C-D [mm]	QUANTITY ALLOWED ENTRIES FOR SIZE (from 1 to size 8)							
	1	2	3	4	5	6	7	8
95x60	2	2	1	1	-	-	-	-
100x60	3	2	2	1	1	-	-	-
160x90	8	5	4	3	2	1	1	-
110x130	9	5	5	4	2	1	1	1
165x105	9	6	6	5	2	2	1	1
225x65	9	5	4	3	3	2	-	-
225x150	20	12	9	8	6	5	2	1
255x155	24	15	12	11	6	6	3	2
350x250	48	30	24	20	12	12	8	6
350x130	24	17	12	10	8	4	3	3
370x270	59	35	28	25	21	12	10	6
370x160	26	18	14	12	8	11	4	2
440x290	70	42	35	35	24	18	13	8
440x145	30	24	21	14	12	7	5	3

# EJB

## Body and cover enclosures drilling layout



Reference details



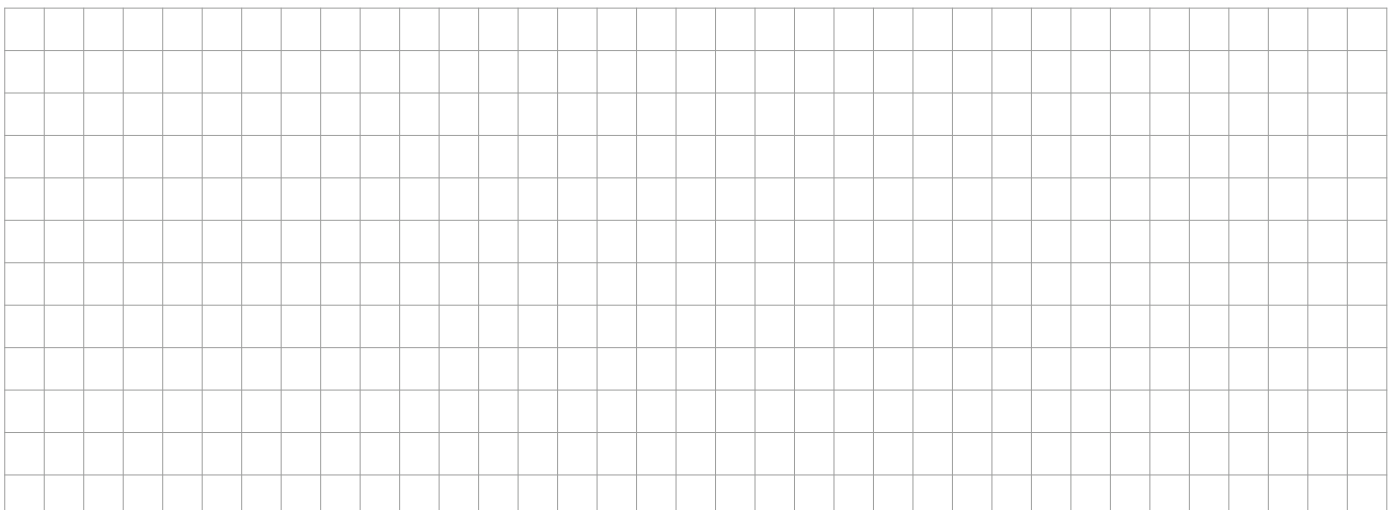
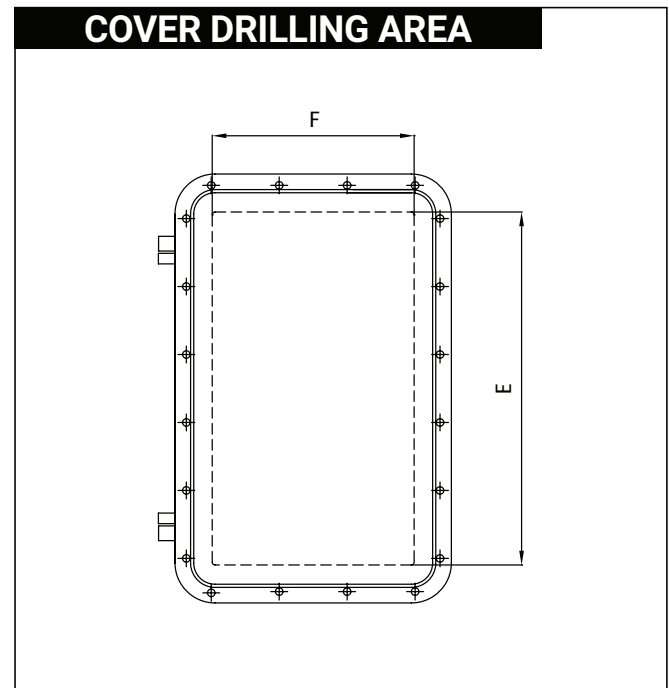
### EJB Threads comparison table

SIZE	UNI 6125	ISO 228/1	ASA B2.1	ISO 965/I
1	GK 1/2"	G 1/2"	1/2" NPT	M20
2	GK 3/4"	G 3/4"	3/4" NPT	M25
3	GK 1"	G 1"	1" NPT	M32
4	GK 1-1/4"	G 1-1/4"	1-1/4" NPT	M40
5	GK 1-1/2"	G 1-1/2"	1-1/2" NPT	M50
6	GK 2"	G 2"	2" NPT	M63
7	GK 2-1/2"	G 2-1/2"	2-1/2" NPT	M75
8	GK 3"	G 3"	3" NPT	M85

### Max allowed quantity of push button and pilot light

ENCLOSURE CODE	DRILLING AREA E-F [mm]	MAX OPERATORS PERMITTED
EJB-08	300x90	10
EJB-11	120x120	4
EJB-21	200x155	12
EJB-22	200x100	12
EJB-23	215x165	16
EJB-30	305x205	30
EJB-31	305x205	30
EJB-51	465x265	54
EJB-61	575x370	56
EJB-63	575x370	56
EJB-71	590x390	48
EJB-73	590x390	48
EJB-91	800x500	54
EJB-93	800x500	54

Reference details



**REMARK:**

Due to the development of the national and international specifications and of the technology, the above technical characteristics showed on this bulletin can be considered as binding on our confirmation only.

למידע נוסף



0732001311



[www.ateka.co.il](http://www.ateka.co.il)



אפקון  
מקבוצת  
שלמה

**אטקה**